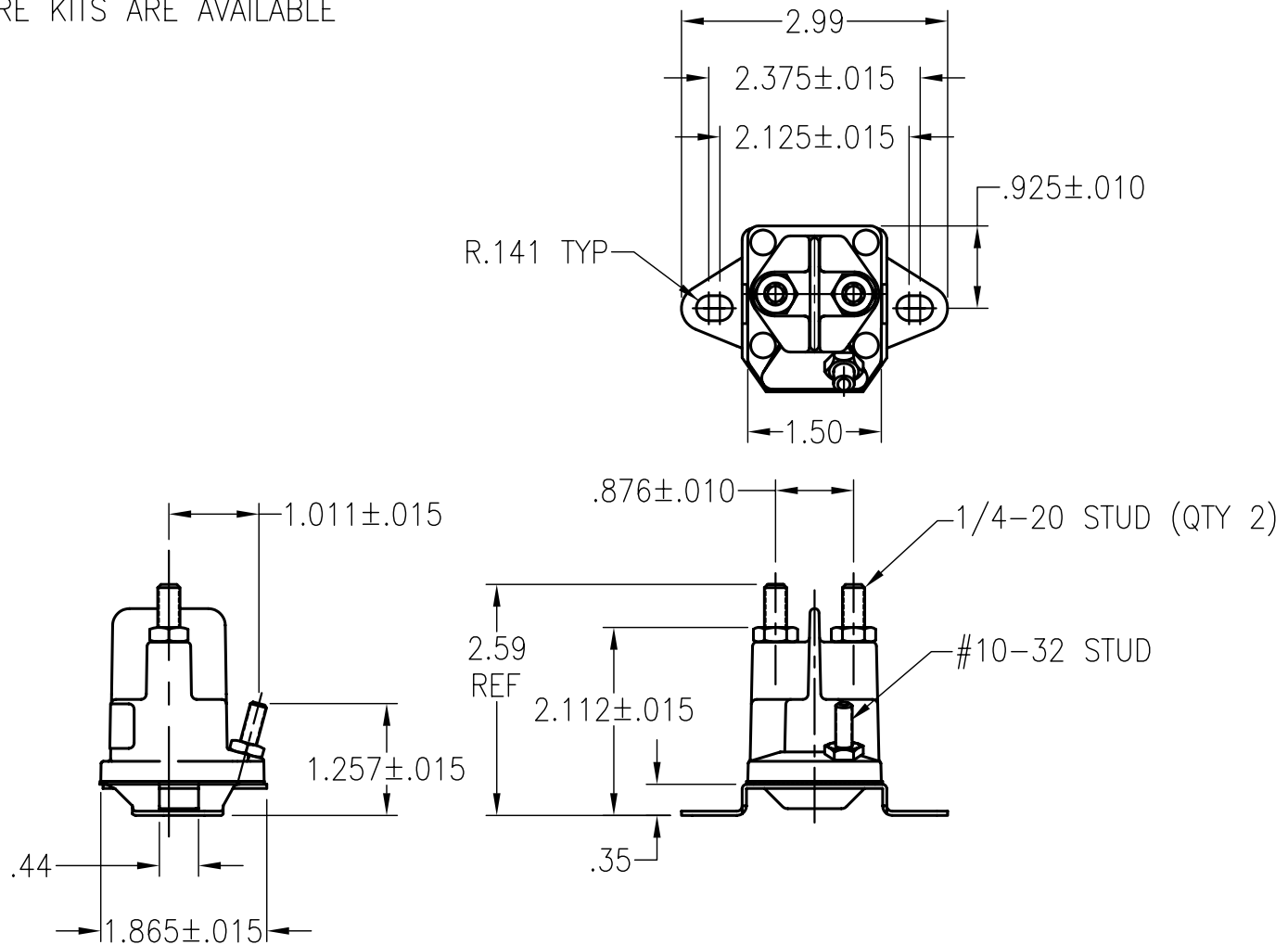


NOTE: BULK HARDWARE KITS ARE AVAILABLE



MATERIAL											
FINISH											
UNLESS OTHERWISE SPECIFIED						832 CONTACTOR STD BRKT					
						DIMENSIONAL ASSEMBLY					
A	RELEASE	JMG	4038	10/23/02	DAH	.XXX +/- .005	.XX +/- .01	ANG. +/- 1°	DRAWN JMG	SCALE 1:2	DWG. NO.
REV.	DESCRIPTION	BY	ECN	DATE	APP.	BREAK ALL EDGES .005-.015	125/	FINISH	APPR. DAH	DATE 10/23/02	E08302
						FILLET .010-.020 RAD.					