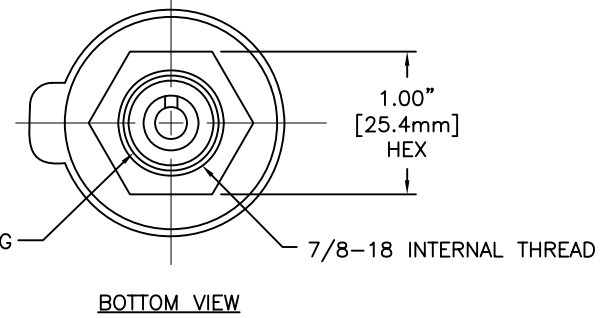
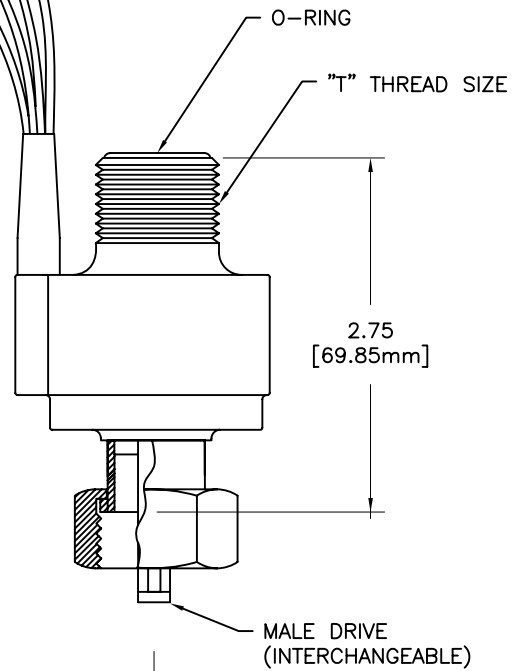
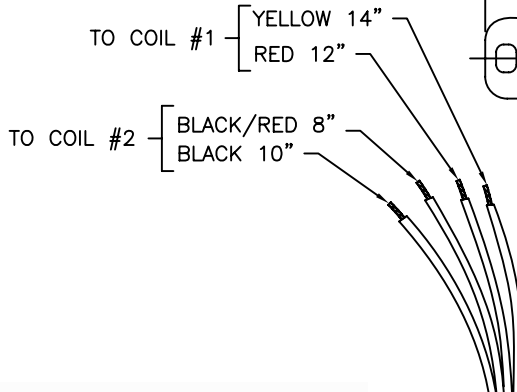
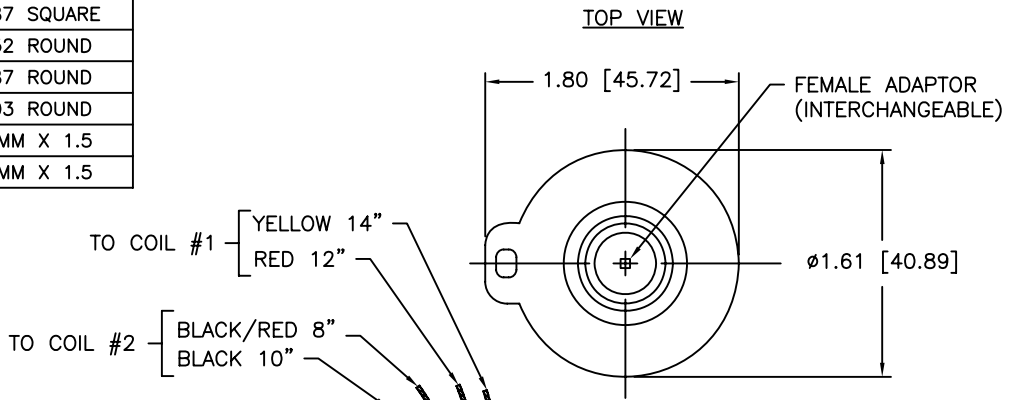
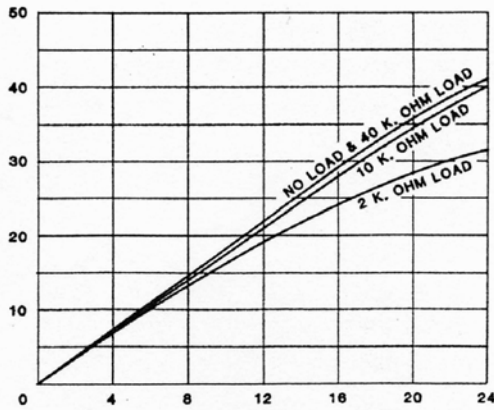


| PART NO.  | DRIVE SIZE  | "T" THREAD SIZE |
|-----------|-------------|-----------------|
| 023-200-A | .104 SQUARE | .104 SQUARE     |
| 023-200-B | .150 SQUARE | .150 SQUARE     |
| 023-200-C | .187 SQUARE | .187 SQUARE     |
| 023-200-D | .152 ROUND  | .152 ROUND      |
| 023-200-E | .187 ROUND  | .187 ROUND      |
| 023-200-F | .203 ROUND  | .203 ROUND      |
| 023-200-G | DIN         | 22MM X 1.5      |
| 023-200-H | .187 ROUND  | 22MM X 1.5      |



OUTPUT VOLTAGE, P. TO P.



RPM X 100

**SPECIFICATIONS:**

1. FREQUENCY: 8 PULSES PER REV.
2. DC SOURCE IMPEDANCE: 160 ±10 OHMS
3. HOUSING MATERIAL: GLASS-FILLED NYLON
4. BEARING: DOUBLE-OILITE
5. LEAD WIRES: 20 AWG., 19 STRAND

**NOTES:**

1. SINGLE OUTPUT GENERATOR ALSO AVAILABLE.
2. SPECIAL LENGTHS AND CONNECTORS AVAILABLE.
3. AVAILABLE IN DIN, M22 X 1.5 METRIC THREAD.

| REVISIONS |                     |          |     | TOLERANCES                  |  | HEWITT INDUSTRIES OF LOS ANGELES |  |
|-----------|---------------------|----------|-----|-----------------------------|--|----------------------------------|--|
| REV.      | DESCRIPTION         | DATE     | BY  | UNLESS OTHERWISE SPECIFIED: |  | TITLE:                           |  |
| A         | REVISED PER ECO 403 | 06/18/08 | EGM | .X =                        |  | SIGNAL GENERATOR                 |  |
|           |                     |          |     | .XX =                       |  | DRAWN BY: E.MARIANO              |  |
|           |                     |          |     | .XXX =                      |  | PART NO. 023-200-X               |  |
|           |                     |          |     | FRACTIONS =                 |  | APPR. BY: H.L.FUJITA             |  |
|           |                     |          |     | ANGLES =                    |  | DATE: 06/18/08                   |  |
|           |                     |          |     | SCALE: NONE                 |  | SHEET 1 OF 1                     |  |

A